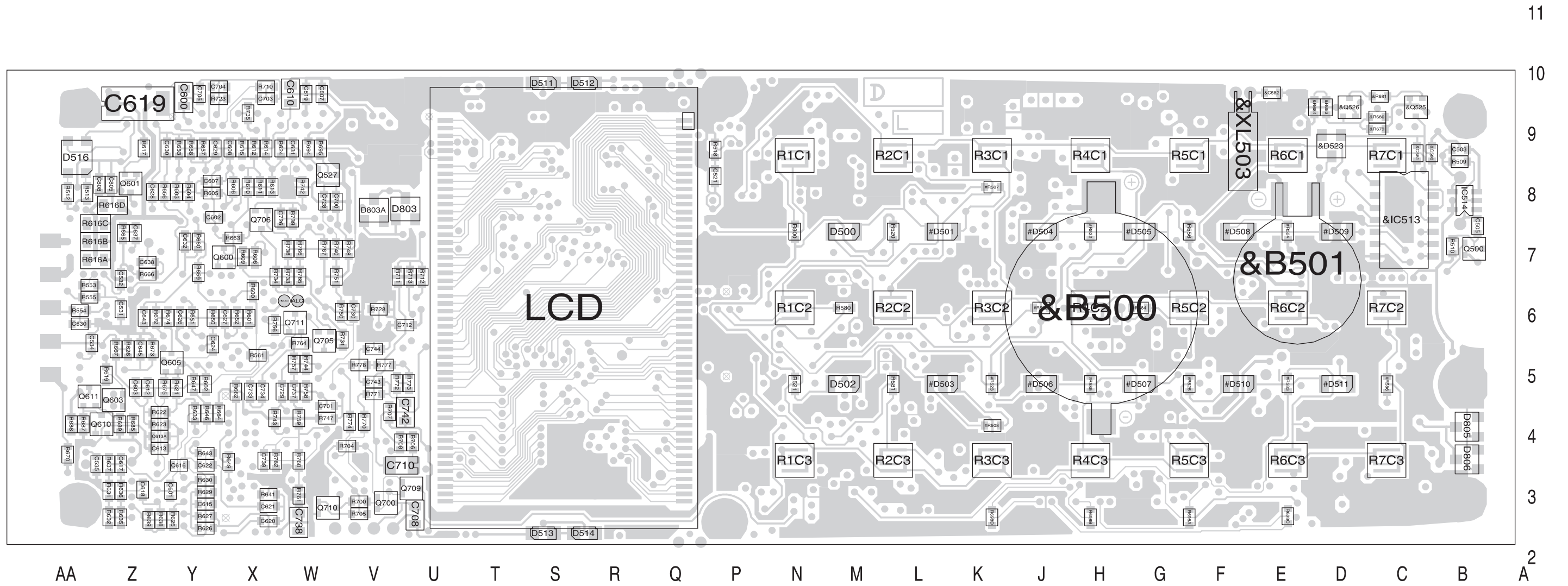
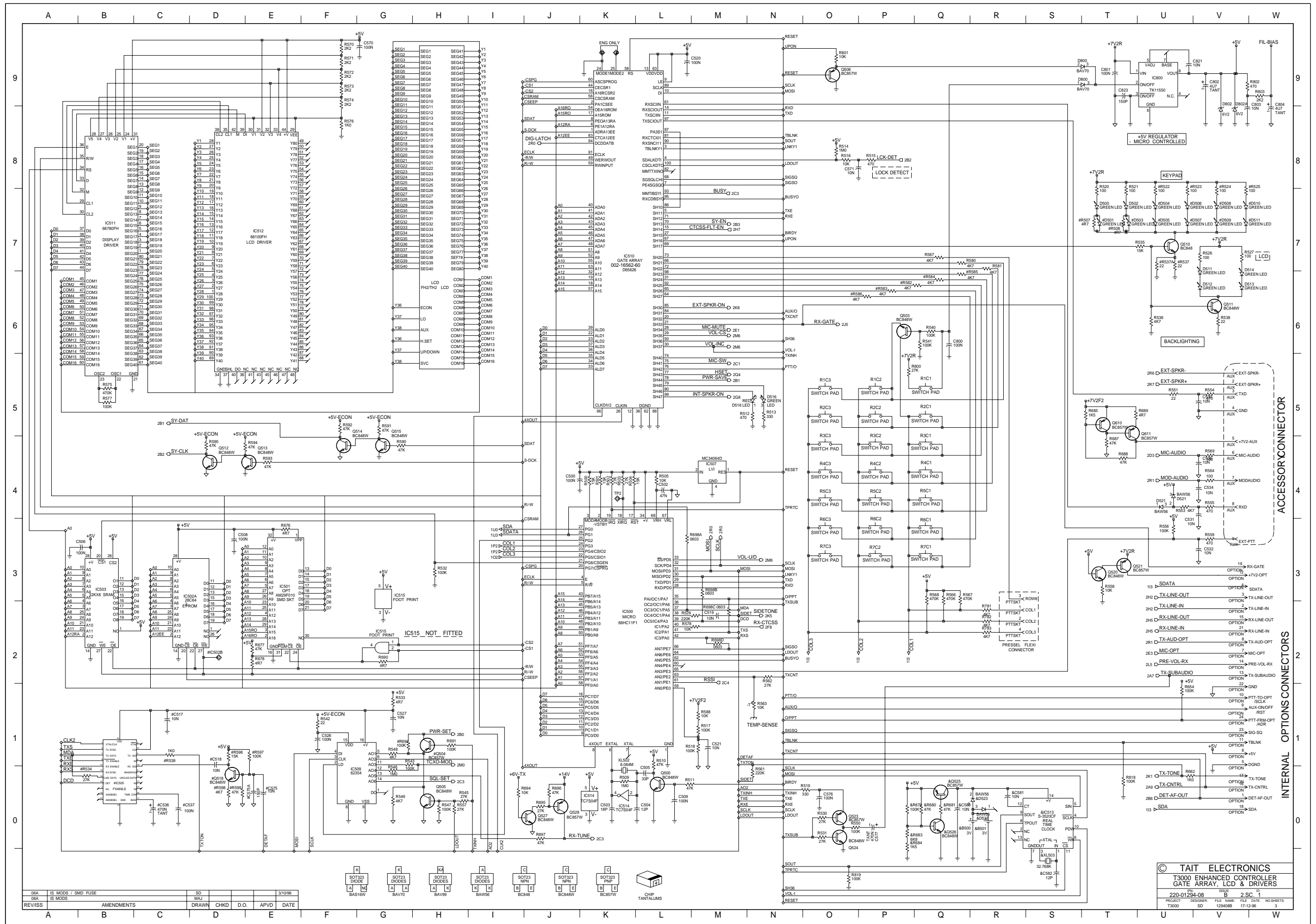


T3020, T303X & T3040 Control PCB Layout  
Top Side  
IPN 220-01294-08

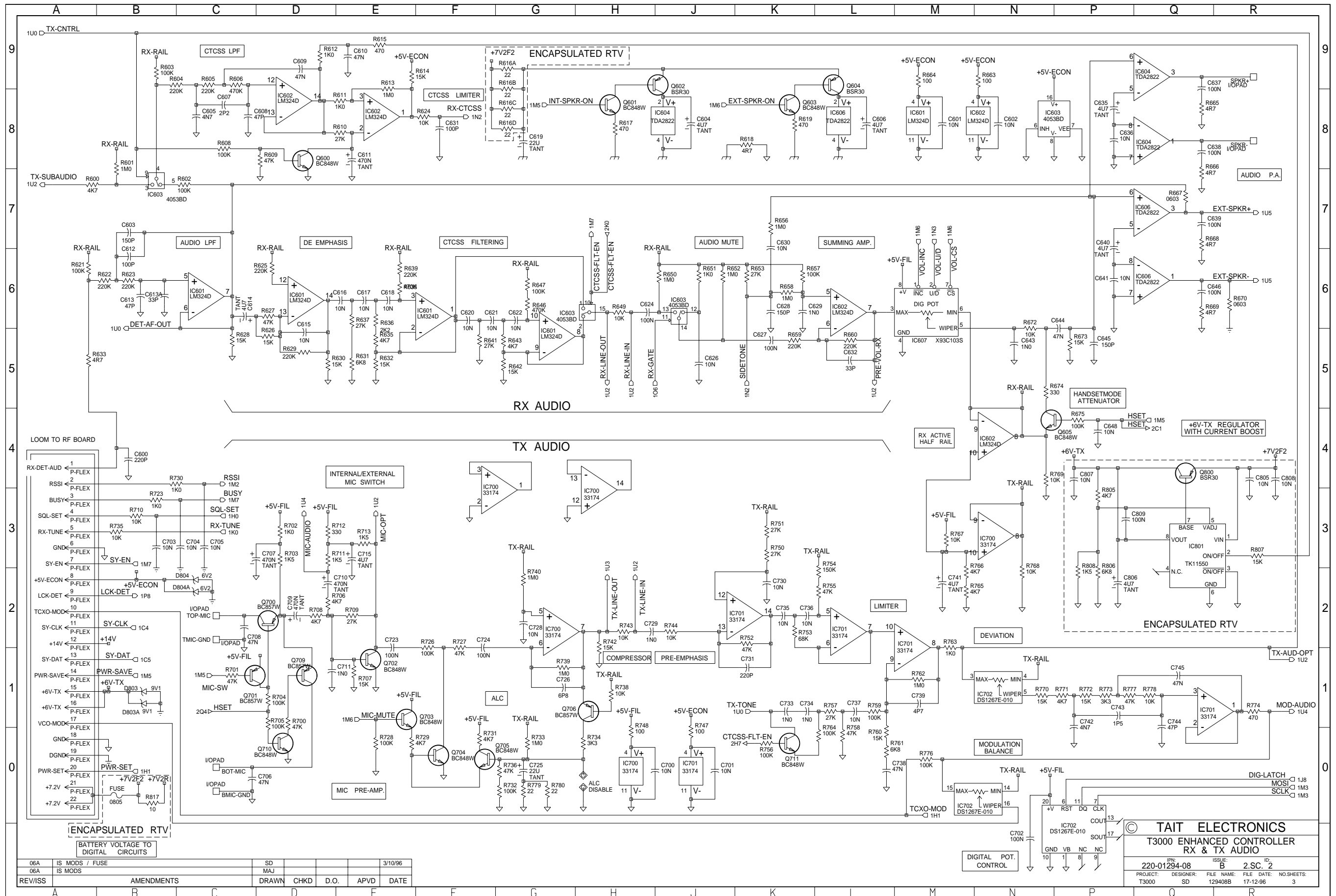


T3020, T303X & T3040 Control PCB Layout  
Bottom Side  
IPN 220-01294-08



© TAIT ELECTRONICS  
 T3000 ENHANCED CONTROLLER  
 GATE ARRAY, LCD & DRIVERS  
 220-01294-08 15 2.SG. 1  
 PROJECT DESIGNER FILE NAME DATE NO SHEETS  
 T3000 SD 129408B 17-12-96 3



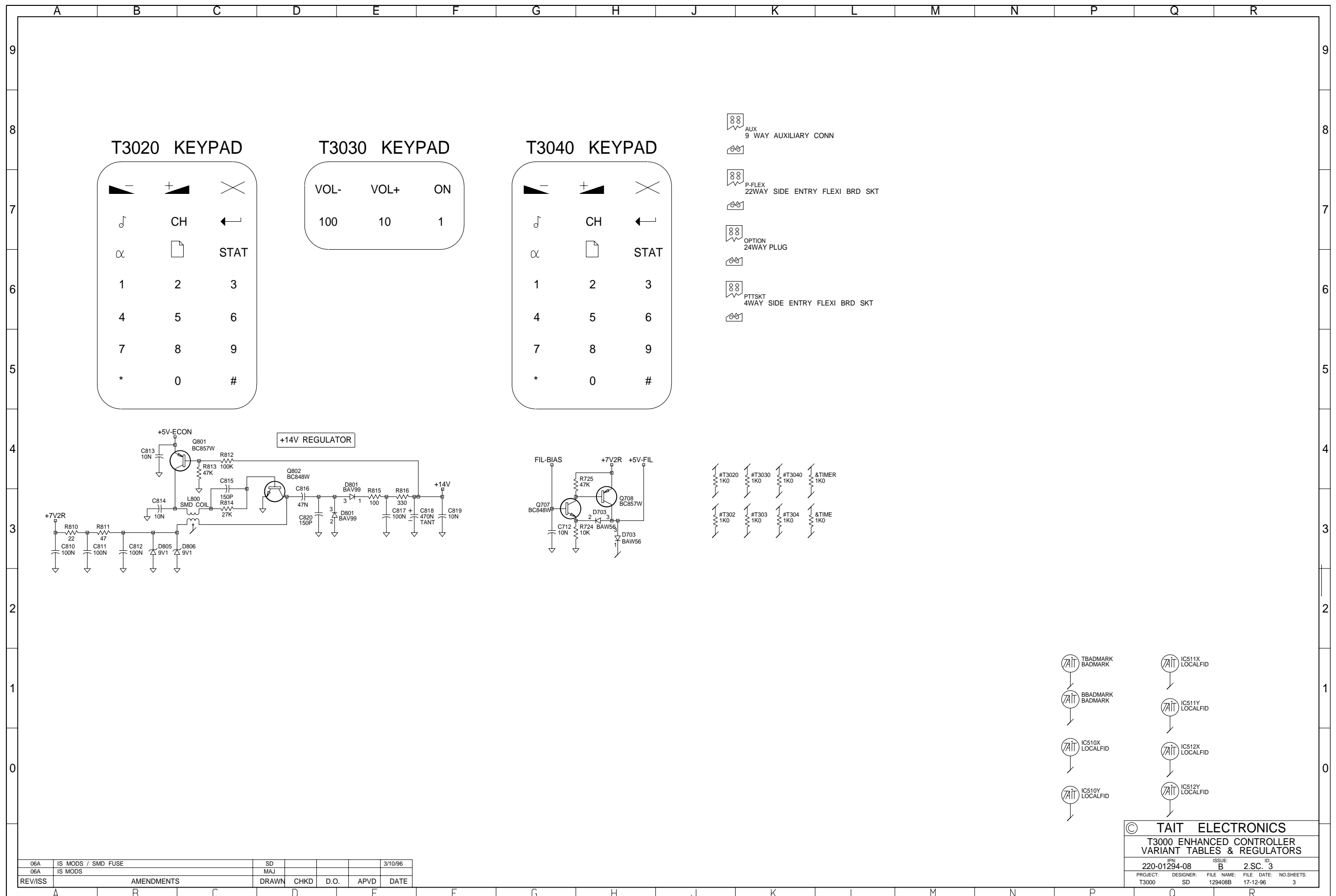


06A	IS MODS / FUSE	SD			3/10/96
06A	IS MODS	MAJ			
REV/ISS	AMENDMENTS	DRAWN	CHKD	D.O.	APVD DATE

**TAIT ELECTRONICS**  
**T3000 ENHANCED CONTROLLER**  
**RX & TX PCB**

IPN: 220-01294-08    ISSUE: B    2.S.C. 2  
 PROJECT: T3000    DESIGNER: SD    FILE NAME: 129408B    FILE DATE: 17-12-96    NO. SHEETS: 3





06A	IS MODS / SMD FUSE	SD			3/10/96
06A	IS MODS	MAJ			
REV/ISS	AMENDMENTS	DRAWN	CHKD	D.O.	APVD DATE

© TAIT ELECTRONICS					
T3000 ENHANCED CONTROLLER VARIANT TABLES & REGULATORS					
IPN:	220-01294-08	ISSUE:	B	ID:	2.SC. 3
PROJECT:	T3000	DESIGNER:	SD	FILE NAME:	129408B
		FILE DATE:	17-12-96	NO SHEETS:	3

